

PRESSURE SWITCH

Series PW

Cat No PW - 01 - 01

PRESSURE SWITCH - R1/8

Features

- Quick response
- Easy adjustability of set pressure
- Hysteresis adjustable



Applications

Pressure switch can be used in compressed air applications. Some of the applications include,

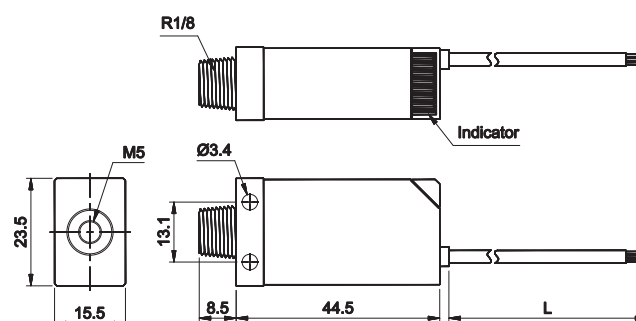
- Protect pneumatic equipment / against over pressure
- For pressure sequencing
- Can be used in application, to operate sequentially

Technical Specifications

Ordering No.	PW0103504	PW0104504
Port size	R1/8	
Operating pressure range	0 - 10 bar	
Withstand pressure	15 bar	
Fluid	Air	
Power supply voltage	12 to 24V DC $\pm 10\%$, Ripple (P-P) 10% or less	
Response time	5ms or less	
Repeatability	$\pm 1\%$ F.S.	
Current consumption	21mA MAX.	
Environment	Enclosure	IP40
	Ambient temp. range	Operation : 0 ~ 50°C, Storage : -20 ~ 60°C (No condensation or freezing)
	Ambient humidity range	Operation / Storage : 35 ~ 85% RH (No condensation)
	Withstand voltage	1000VAC in 1-min (between case and lead wire)
	Insulation resistance	50Mohm min. (at 500V DC M, between case and lead wire)
	Vibration	Total amplitude 1.5mm, 10Hz-55Hz,-10Hz scan for 1 minute, two hours each direction of X, Y and Z
	Shock	980m/s ² (100G), 3 times each in direction of X, Y and Z
Temperature characteristic	$\pm 3\%$ F.S. (Standard: 25° C)	
Weight	50g (each including 1M lead wires)	

Output Specifications

Connect diagram		
Characteristics	NPN open collector 30V 80mA	PNP open collector 80mA
Output method	NPN open collector 30V 80mA	PNP open collector 80mA
Hysteresis	1 ~ 10% of setting pressure (Adjustable)	
Setting points	1 point	
Operation indicating lamp	Light at ON (Red)	



Subject to change